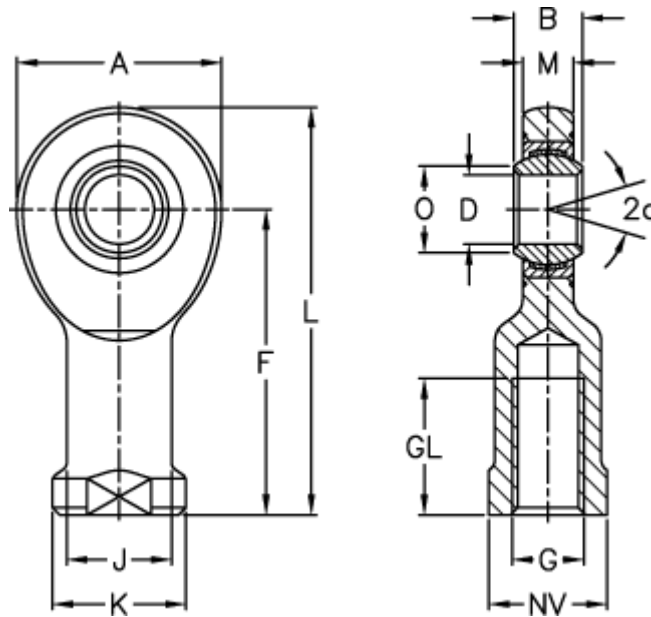


Article number: 03464008

Description: Fluro Rod end EI 8D

Note: 8

Measures



A	= 24	J	= 12.5
a (degrees)	= 15	K	= 16
B	= 8	L	= 48
D	= 8	M	= 6
Dynamic drive (kN)	= 5.8	NV	= 14
F	= 36	O	= 10.2
g	= M8	Static drive kN	= 15.8
GL	= 16	Weight	= 38